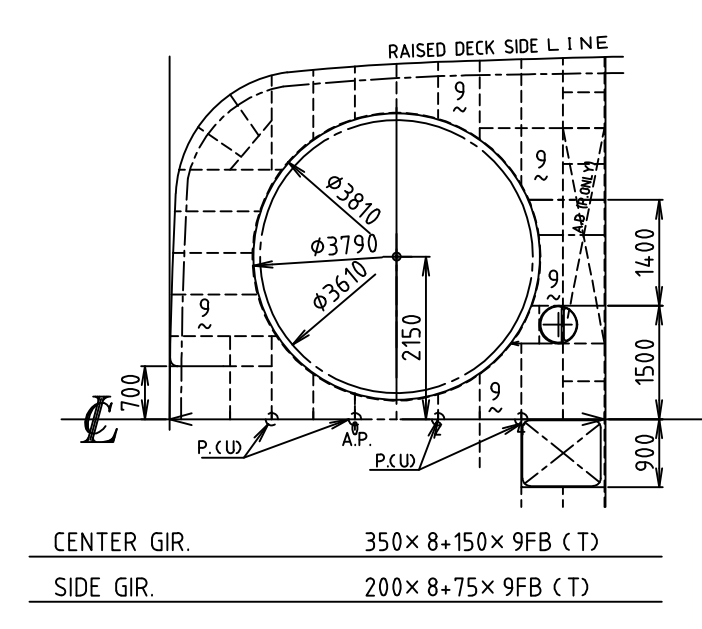
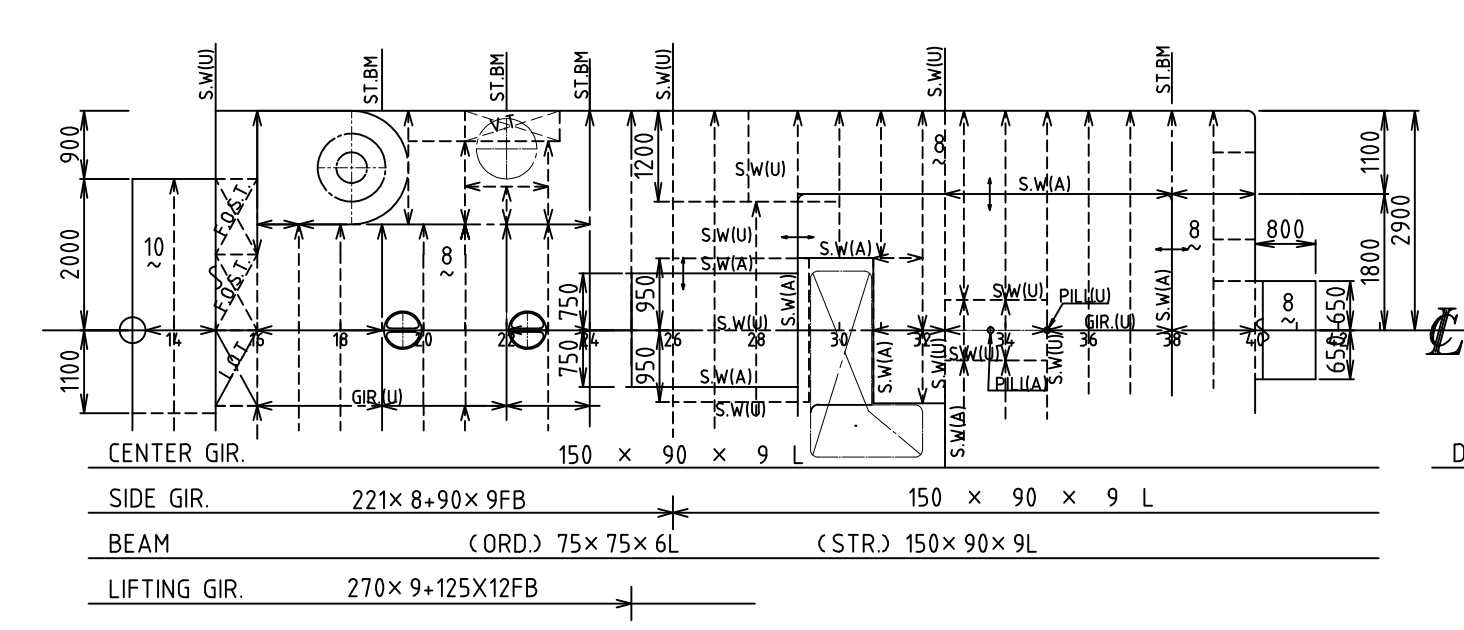


RAISED DECK PLAN

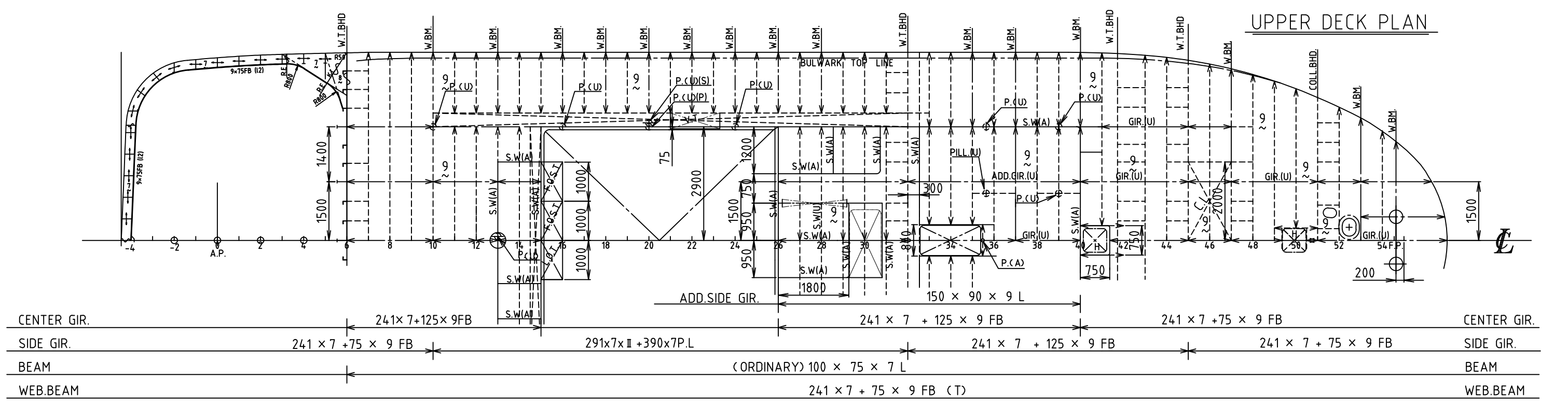
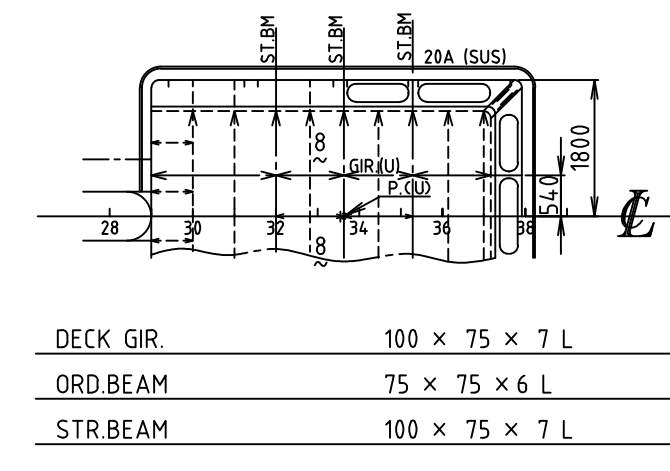


CASING TOP & BRIDGE DECK PLAN

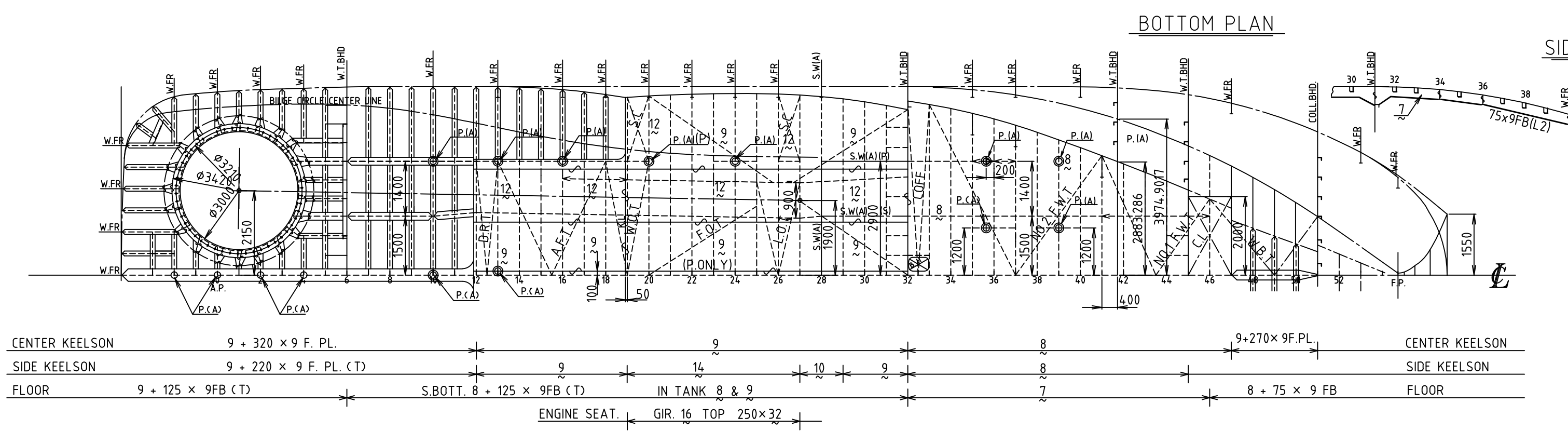


NAV.BRI.DECK PLAN

WHEEL HOUSE TOP NO CAMBER

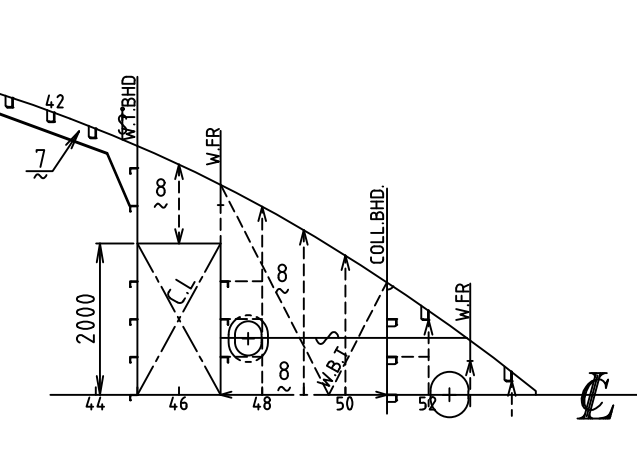


UPPER DECK PLAN



BOTTOM PLAN

SIDE STR.



PRINCIPAL DIMENSIONS

LENGTH (O.A)	33.80m
LENGTH (P.P)	30.10m
BREADTH (M.L.D)	9.60m
DEPTH (M.L.D)	4.00m
DRAFT (M.L.D)	3.10m